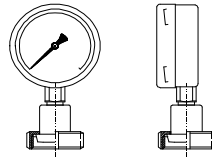


"ALL-STAINLESS" SANITARY PRESSURE GAUGES, TYPE PBQ

TYPE PBQ, with sanitary chemical seal

STANDARD MODEL

CASE : bayonet lock, AISI304/1.4301, IP-65 standard with blow-out device
WETTED PARTS WINDOW : flush diaphragm, AISI316L/1.4435
DIAL : mineral glass 4 mm
POINTER : aluminium, black figures on white
MOVEMENT : stainless steel AISI304/1.4301



PBQ100XA-01

RANGE : from -1/0 upto 0-40 bar, acc. to EN-837-1 (see page 55)
ACCURACY : case Ø 63 and Ø 80 mm: ±1.6% F.S./class 1.6
 case Ø 100 and Ø 160 mm: ±1.0% F.S./class 1.0
Tprocess : -20°/+120° Celcius (-40°C upto 250°C on demand)
OPTIONS : see page 57-58, electrical contact or transmitter:
 4-20 mA, 0-20mA, 0-10Vdc: see page 59-65

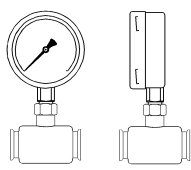
TYPE	NORM	SEAL MODEL	DN	MINIMUM PN	CASE DIAMETER xxx (mm)		
					063	100	160
PBQxxxXA-01	DIN 11 851	 GLAND PIECE + COUPLING NUT	1" DN25	10 bar			N.A.
PBQxxxXA-02			1½" DN40	1 bar			
PBQxxxXA-03			2" DN50	1 bar			
PBQxxxXA-04		 THREAD PIECE	1½" DN40	1 bar			
PBQxxxXA-05			2" DN50	1 bar			
PBQxxxXA-010	DIN 11 864-1 <small>For tubes DIN 11 866 series A</small>	 GLAND PIECE + COUPLING NUT	DN25	16 bar			N.A.
PBQxxxXA-020			DN40	1 bar			
PBQxxxXA-030			DN50	1 bar			
PBQxxxXA-040		 THREAD PIECE	DN40	1 bar			
PBQxxxXA-050			DN50	1 bar			
PBQxxxXA-06	SMS	 GLAND PIECE + COUPLING NUT	1½"	1 bar			
PBQxxxXA-07			2"	1 bar			
PBQxxxXA-08		 THREAD PIECE	1½"	1 bar			
PBQxxxXA-09			2"	1 bar			
PBQxxxXA-10	APV - RJT	 GLAND PIECE + COUPLING NUT	1½"	1 bar			
PBQxxxXA-11			2"	1 bar			
PBQxxxXA-12		 THREAD PIECE	1½"	1 bar			
PBQxxxXA-13			2"	1 bar			
PBQxxxXA-14	ISO 2853 (IDF)	 GLAND PIECE + COUPLING NUT	1½"	1 bar			
PBQxxxXA-15			2"	1 bar			
PBQxxxXA-16		 THREAD PIECE	1½"	1 bar			
PBQxxxXA-17			2"	1 bar			
PBQxxxXA-18	ISO 2852 <small>TRI-CLAMP, for tubes ISO 2037 and BS 4825 Part 1</small>	 TRI-CLAMP	1" - DN25	16 bar			N.A.
PBQxxxXA-19			1½" - DN38	1 bar			
PBQxxxXA-181			2" - DN51	1 bar			
PBQxxxXA-182	DIN 32 676 serie A <small>TRI-CLAMP, for tubes DIN 11 850</small>	 TRI-CLAMP	DN25	25 bar			N.A.
PBQxxxXA-183			DN40	16 bar			
PBQxxxXA-183			DN50	1 bar			
PBQxxxXA-191	BS 4825 <small>TRI-CLAMP, for tubes ASME BPE, ISO 1127, BS 4825 Part 3</small>	 TRI-CLAMP	NPS ¾"	25 bar			N.A.
PBQxxxXA-192			NPS 1"	16 bar			N.A.
PBQxxxXA-193			NPS 1 ½"	1 bar			
PBQxxxXA-20	VARIVENT <small>TUCHENHAGEN VARIVENT</small>	 VARIVENT	DN50	1 bar			
PBQxxxXA-21			DN68	1 bar			
OPTIONS							
OFF-CENTRE BACK CONNECTION		 OFF-CENTRE BACK CONNECTION		e.g. PBQ100XC-01			
GLYCERINE		GLYCERINE FILLED CASE e.g. PBQ100LA-31 (L = Liquid) (In combination with electrical device see page 64: Ondina oil)					

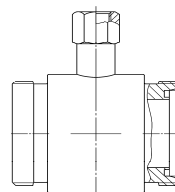
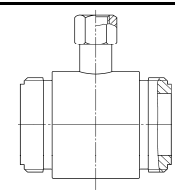
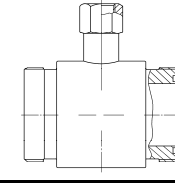
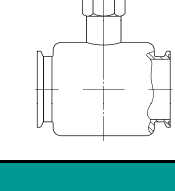
- » Other ranges, pressure ratings, flange sizes, materials and connections on demand
- » Other Standards also available: e.g. Südmo, Naue, Guth, Neumo

"ALL-STAINLESS" SANITARY PRESSURE GAUGES, TYPE PBQ

TYPE PBQ, with In-Line sanitary chemical seal

STANDARD MODEL





CASE	: bayonet lock, AISI304/1.4301, IP-65 blow-out	 <p>PBQ100XA-31</p>	RANGE	: from -1/0 upto 0-40 bar, acc. to EN-837-1 (see page 55)
BODY	: AISI316Ti/1.4571		ACCURACY	: case Ø 63 and Ø 80 mm: ±1.6% F.S./class 1.6 case Ø 100 and Ø 160 mm: ±1.0% F.S. /class 1.0
WETTED PARTS	: AISI316Ti/1.4571, diaphragm CrNi		Tprocess	: -20°/+120° Celcius (-40°C upto 250°C on demand)
WINDOW	: mineral glass 4 mm		OPTIONS	: see page 57-58, electrical contact or transmitter: 4-20 mA, 0-20mA, 0-10Vdc: see page 59-65
DIAL	: aluminium, black figures on white			
POINTER	: aluminium, black			
MOVEMENT	: stainless steel AISI304/1.4301			

TYPE	IN-LINE SEAL NORM	DN	MINIMUM PN	CASE DIAMETER xxx (Ø in mm)		
				063	100	160
PBQxxxXA-22	 <p>DIN-11851</p>	1" DN25	1 bar			
PBQxxxXA-23		1½" DN40	1 bar			
PBQxxxXA-24		2" DN50	1 bar			
PBQxxxXA-25	 <p>APV-ISS</p>	1"	2.5 bar			
PBQxxxXA-26		1 ½"	1 bar			
PBQxxxXA-27		2"	1 bar			
PBQxxxXA-28	 <p>SMS</p>	1"	2.5 bar			
PBQxxxXA-29		1 ½"	1 bar			
PBQxxxXA-30		2"	1 bar			
PBQxxxXA-31	 <p>TRI-CLAMP</p>	1" - 1 ½"	2.5 bar			
PBQxxxXA-32		2"	1 bar			
PBQxxxXA-33		3"	1 bar			
OPTIONS				EXTRA COSTS		
GLYCERINE	GLYCERINE FILLED e.g. PBQ100LA-31 (L = Liquid) (In combination with electrical device: Ondina oil see page 64)					

» Other ranges, pressure ratings, flange sizes, materials and connections on demand

» Other Standards also available: e.g. DIN 11864, Südmo, Naue, Guth, Neumo

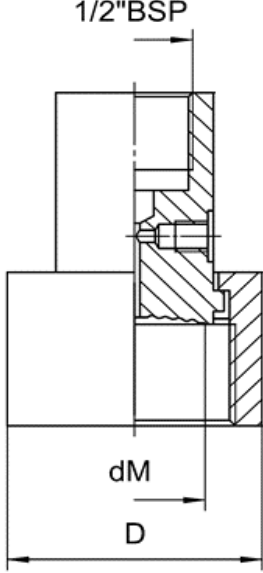

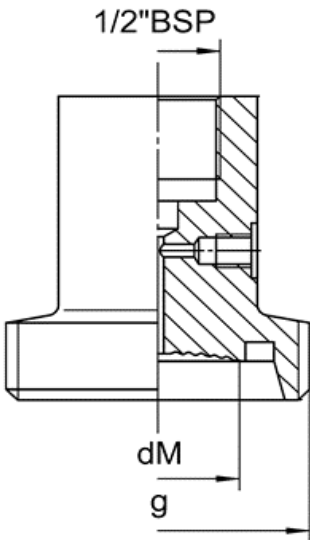

"ALL STAINLESS" SANITARY PRESSURE GAUGE, TYPE PBQ

TYPE	DRAWING	DIMENSIONS mm																																				
01		<p>DIN 11 851 GLAND PIECE + COUPLING NUT</p> 																																				
			<table border="1"> <thead> <tr> <th>DN</th> <th>PN bar</th> <th>D</th> <th>dM</th> <th>For tube Male ø</th> <th>Tube Female ø</th> </tr> </thead> <tbody> <tr> <td>25</td> <td rowspan="3">40</td> <td>63</td> <td>26</td> <td>29 x 1,5</td> <td>26</td> </tr> <tr> <td>32</td> <td>70</td> <td>32</td> <td>35 x 1,5</td> <td>32</td> </tr> <tr> <td>40</td> <td>78</td> <td>38</td> <td>41 x 1,5</td> <td>38</td> </tr> <tr> <td>50</td> <td rowspan="3">25</td> <td>92</td> <td>48</td> <td>53 x 1,5</td> <td>50</td> </tr> <tr> <td>65</td> <td>112</td> <td>60</td> <td>70 x 2</td> <td>66</td> </tr> <tr> <td>80</td> <td>127</td> <td>72</td> <td>85 x 2</td> <td>81</td> </tr> </tbody> </table>	DN	PN bar	D	dM	For tube Male ø	Tube Female ø	25	40	63	26	29 x 1,5	26	32	70	32	35 x 1,5	32	40	78	38	41 x 1,5	38	50	25	92	48	53 x 1,5	50	65	112	60	70 x 2	66	80	127
DN	PN bar	D	dM	For tube Male ø	Tube Female ø																																	
25	40	63	26	29 x 1,5	26																																	
32		70	32	35 x 1,5	32																																	
40		78	38	41 x 1,5	38																																	
50	25	92	48	53 x 1,5	50																																	
65		112	60	70 x 2	66																																	
80		127	72	85 x 2	81																																	
02																																						
03																																						
04		<p>DIN 11 851 THREAD PIECE</p> 																																				
			<table border="1"> <thead> <tr> <th>DN</th> <th>PN bar</th> <th>dM</th> <th>g</th> <th>For tube Male ø</th> <th>Tube Female ø</th> </tr> </thead> <tbody> <tr> <td>25</td> <td rowspan="5">40</td> <td>26</td> <td>Rd 52 x 1/6</td> <td>29 x 1,5</td> <td>26</td> </tr> <tr> <td>32</td> <td>32</td> <td>Rd 58 x 1/6</td> <td>35 x 1,5</td> <td>32</td> </tr> <tr> <td>40</td> <td>38</td> <td>Rd 65 x 1/6</td> <td>41 x 1,5</td> <td>38</td> </tr> <tr> <td>50</td> <td>48</td> <td>Rd 78 x 1/6</td> <td>53 x 1,5</td> <td>50</td> </tr> <tr> <td>65</td> <td>60</td> <td>Rd 95 x 1/6</td> <td>70 x 2</td> <td>66</td> </tr> </tbody> </table>	DN	PN bar	dM	g	For tube Male ø	Tube Female ø	25	40	26	Rd 52 x 1/6	29 x 1,5	26	32	32	Rd 58 x 1/6	35 x 1,5	32	40	38	Rd 65 x 1/6	41 x 1,5	38	50	48	Rd 78 x 1/6	53 x 1,5	50	65	60	Rd 95 x 1/6	70 x 2	66			
DN	PN bar	dM	g	For tube Male ø	Tube Female ø																																	
25	40	26	Rd 52 x 1/6	29 x 1,5	26																																	
32		32	Rd 58 x 1/6	35 x 1,5	32																																	
40		38	Rd 65 x 1/6	41 x 1,5	38																																	
50		48	Rd 78 x 1/6	53 x 1,5	50																																	
65		60	Rd 95 x 1/6	70 x 2	66																																	
05																																						
010		<p>DIN 11 864-1 GLAND PIECE + COUPLING NUT</p> 																																				
			<table border="1"> <thead> <tr> <th>DN</th> <th>PN bar</th> <th>D</th> <th>dM</th> <th>For tube Male ø</th> <th>Tube Female ø</th> </tr> </thead> <tbody> <tr> <td>25</td> <td rowspan="3">40</td> <td>63</td> <td>21</td> <td>29 x 1,5</td> <td>26</td> </tr> <tr> <td>32</td> <td>70</td> <td>28</td> <td>35 x 1,5</td> <td>32</td> </tr> <tr> <td>40</td> <td>78</td> <td>34</td> <td>41 x 1,5</td> <td>38</td> </tr> <tr> <td>50</td> <td rowspan="3">25</td> <td>92</td> <td>46</td> <td>53 x 1,5</td> <td>50</td> </tr> <tr> <td>65</td> <td>112</td> <td>60</td> <td>70x 2</td> <td>66</td> </tr> <tr> <td>80</td> <td>127</td> <td>72</td> <td>85 x 2</td> <td>81</td> </tr> </tbody> </table>	DN	PN bar	D	dM	For tube Male ø	Tube Female ø	25	40	63	21	29 x 1,5	26	32	70	28	35 x 1,5	32	40	78	34	41 x 1,5	38	50	25	92	46	53 x 1,5	50	65	112	60	70x 2	66	80	127
DN	PN bar	D	dM	For tube Male ø	Tube Female ø																																	
25	40	63	21	29 x 1,5	26																																	
32		70	28	35 x 1,5	32																																	
40		78	34	41 x 1,5	38																																	
50	25	92	46	53 x 1,5	50																																	
65		112	60	70x 2	66																																	
80		127	72	85 x 2	81																																	
020																																						
030																																						
040		<p>DIN 11 864-1 THREAD PIECE</p> 																																				
			<table border="1"> <thead> <tr> <th>DN</th> <th>PN bar</th> <th>dM</th> <th>g</th> <th>For tube Male ø</th> <th>Tube Female ø</th> </tr> </thead> <tbody> <tr> <td>25</td> <td rowspan="3">40</td> <td>21</td> <td>Rd 52 x 1/6</td> <td>29 x 1,5</td> <td>26</td> </tr> <tr> <td>32</td> <td>28</td> <td>Rd 58 x 1/6</td> <td>35 x 1,5</td> <td>32</td> </tr> <tr> <td>40</td> <td>34</td> <td>Rd 65 x 1/6</td> <td>41 x 1,5</td> <td>38</td> </tr> <tr> <td>50</td> <td>25</td> <td>46</td> <td>Rd 78 x 1/6</td> <td>53 x 1,5</td> <td>50</td> </tr> </tbody> </table>	DN	PN bar	dM	g	For tube Male ø	Tube Female ø	25	40	21	Rd 52 x 1/6	29 x 1,5	26	32	28	Rd 58 x 1/6	35 x 1,5	32	40	34	Rd 65 x 1/6	41 x 1,5	38	50	25	46	Rd 78 x 1/6	53 x 1,5	50							
DN	PN bar	dM	g	For tube Male ø	Tube Female ø																																	
25	40	21	Rd 52 x 1/6	29 x 1,5	26																																	
32		28	Rd 58 x 1/6	35 x 1,5	32																																	
40		34	Rd 65 x 1/6	41 x 1,5	38																																	
50	25	46	Rd 78 x 1/6	53 x 1,5	50																																	
050																																						

"ALL STAINLESS" SANITARY PRESSURE GAUGE, TYPE PBQ

TYPE	DRAWING	DIMENSIONS mm																																				
06 07	<p style="text-align: center;">SMS GLAND PIECE + COUPLING NUT</p>	<table border="1" style="width: 100%; border-collapse: collapse; margin-top: 10px;"> <thead> <tr style="background-color: #008080; color: white;"> <th>NPS</th> <th>PN bar</th> <th>dM</th> <th>D</th> <th>For tube Male ø</th> <th>Tube Female ø</th> </tr> </thead> <tbody> <tr> <td>1"</td> <td>19</td> <td>19</td> <td>51</td> <td>25 x 1,2</td> <td>22,6</td> </tr> <tr> <td>1 1/2"</td> <td>40</td> <td>32</td> <td>74</td> <td>38 x 1,2</td> <td>35,6</td> </tr> <tr> <td>2"</td> <td></td> <td>46</td> <td>84</td> <td>51 x 1,2</td> <td>48,6</td> </tr> <tr> <td>2 1/2"</td> <td></td> <td>56</td> <td>100</td> <td>63,5 x 1,6</td> <td>60,3</td> </tr> <tr> <td>3"</td> <td>25</td> <td>66</td> <td>114</td> <td>76,4 x 1,6</td> <td>72,9</td> </tr> </tbody> </table>	NPS	PN bar	dM	D	For tube Male ø	Tube Female ø	1"	19	19	51	25 x 1,2	22,6	1 1/2"	40	32	74	38 x 1,2	35,6	2"		46	84	51 x 1,2	48,6	2 1/2"		56	100	63,5 x 1,6	60,3	3"	25	66	114	76,4 x 1,6	72,9
			NPS	PN bar	dM	D	For tube Male ø	Tube Female ø																														
1"	19	19	51	25 x 1,2	22,6																																	
1 1/2"	40	32	74	38 x 1,2	35,6																																	
2"		46	84	51 x 1,2	48,6																																	
2 1/2"		56	100	63,5 x 1,6	60,3																																	
3"	25	66	114	76,4 x 1,6	72,9																																	
08 09	<p style="text-align: center;">SMS THREAD PIECE</p>	<table border="1" style="width: 100%; border-collapse: collapse; margin-top: 10px;"> <thead> <tr style="background-color: #008080; color: white;"> <th>NPS</th> <th>PN bar</th> <th>dM</th> <th>g</th> <th>For tube Male ø</th> <th>Tube Female ø</th> </tr> </thead> <tbody> <tr> <td>1 1/2"</td> <td>40</td> <td>32</td> <td>Rd 60-6</td> <td>38 x 1,2</td> <td>35,6</td> </tr> <tr> <td>2"</td> <td></td> <td>46</td> <td>Rd 70-6</td> <td>51 x 1,2</td> <td>48,6</td> </tr> </tbody> </table>	NPS	PN bar	dM	g	For tube Male ø	Tube Female ø	1 1/2"	40	32	Rd 60-6	38 x 1,2	35,6	2"		46	Rd 70-6	51 x 1,2	48,6																		
			NPS	PN bar	dM	g	For tube Male ø	Tube Female ø																														
1 1/2"	40	32	Rd 60-6	38 x 1,2	35,6																																	
2"		46	Rd 70-6	51 x 1,2	48,6																																	
10 11	<p style="text-align: center;">APV - RJT GLAND PIECE + COUPLING NUT</p>	<table border="1" style="width: 100%; border-collapse: collapse; margin-top: 10px;"> <thead> <tr style="background-color: #008080; color: white;"> <th>NPS</th> <th>PN bar</th> <th>dM</th> <th>SW (D)</th> <th>For tube Male ø</th> <th>Tube Female ø</th> </tr> </thead> <tbody> <tr> <td>1"</td> <td>40</td> <td>19</td> <td>51</td> <td>25,4 x 1,6</td> <td>22,2</td> </tr> <tr> <td>1 1/2"</td> <td></td> <td>32</td> <td>65</td> <td>38,1 x 1,6</td> <td>34,9</td> </tr> <tr> <td>2"</td> <td></td> <td>38</td> <td>79</td> <td>50,8 x 1,6</td> <td>47,6</td> </tr> </tbody> </table>	NPS	PN bar	dM	SW (D)	For tube Male ø	Tube Female ø	1"	40	19	51	25,4 x 1,6	22,2	1 1/2"		32	65	38,1 x 1,6	34,9	2"		38	79	50,8 x 1,6	47,6												
			NPS	PN bar	dM	SW (D)	For tube Male ø	Tube Female ø																														
1"	40	19	51	25,4 x 1,6	22,2																																	
1 1/2"		32	65	38,1 x 1,6	34,9																																	
2"		38	79	50,8 x 1,6	47,6																																	
12 13	<p style="text-align: center;">APV - RJT THREAD PIECE</p>	<table border="1" style="width: 100%; border-collapse: collapse; margin-top: 10px;"> <thead> <tr style="background-color: #008080; color: white;"> <th>NPS</th> <th>PN bar</th> <th>dM</th> <th>g</th> <th>For tube Male ø</th> <th>Tube Female ø</th> </tr> </thead> <tbody> <tr> <td>1 1/2"</td> <td>40</td> <td>32</td> <td>2 5/16x1/8"</td> <td>38,1 x 1,6</td> <td>34,9</td> </tr> <tr> <td>2"</td> <td></td> <td>38</td> <td>2 7/8x1/16"</td> <td>50,8 x 1,6</td> <td>47,6</td> </tr> </tbody> </table>	NPS	PN bar	dM	g	For tube Male ø	Tube Female ø	1 1/2"	40	32	2 5/16x1/8"	38,1 x 1,6	34,9	2"		38	2 7/8x1/16"	50,8 x 1,6	47,6																		
			NPS	PN bar	dM	g	For tube Male ø	Tube Female ø																														
1 1/2"	40	32	2 5/16x1/8"	38,1 x 1,6	34,9																																	
2"		38	2 7/8x1/16"	50,8 x 1,6	47,6																																	

"ALL STAINLESS" SANITARY PRESSURE GAUGE, TYPE PBQ

TYPE	DRAWING	DIMENSIONS mm																						
14 15	<p>1/2"BSP</p> <p>ISO 2853 (IDF) GLAND PIECE + COUPLING NUT</p>  <p>dM</p> <p>D</p>	 <table border="1"> <thead> <tr> <th>NPS</th> <th>PN bar</th> <th>dM</th> <th>D</th> <th>For tube Male ø</th> <th>Tube Female ø</th> </tr> </thead> <tbody> <tr> <td>1"</td> <td rowspan="3">40</td> <td>19</td> <td>52</td> <td>25,6 x 1,5</td> <td>22,6</td> </tr> <tr> <td>1 1/2"</td> <td>32</td> <td>64</td> <td>38,6 x 1,5</td> <td>35,6</td> </tr> <tr> <td>2"</td> <td>46</td> <td>79</td> <td>51,6 x 1,5</td> <td>48,6</td> </tr> </tbody> </table>	NPS	PN bar	dM	D	For tube Male ø	Tube Female ø	1"	40	19	52	25,6 x 1,5	22,6	1 1/2"	32	64	38,6 x 1,5	35,6	2"	46	79	51,6 x 1,5	48,6
		NPS	PN bar	dM	D	For tube Male ø	Tube Female ø																	
1"	40	19	52	25,6 x 1,5	22,6																			
1 1/2"		32	64	38,6 x 1,5	35,6																			
2"		46	79	51,6 x 1,5	48,6																			
16 17	<p>1/2"BSP</p> <p>ISO 2853 (IDF) THREAD PIECE</p>  <p>dM</p> <p>g</p>	 <table border="1"> <thead> <tr> <th>NPS</th> <th>PN bar</th> <th>dM</th> <th>g</th> <th>For tube Male ø</th> <th>Tube Female ø</th> </tr> </thead> <tbody> <tr> <td>1 1/2"</td> <td rowspan="2">40</td> <td>34</td> <td>1 1/2"IDF</td> <td>38,6 x 1,5</td> <td>35,6</td> </tr> <tr> <td>2"</td> <td>45</td> <td>2"IDF</td> <td>51,6 x 1,5</td> <td>48,6</td> </tr> </tbody> </table>	NPS	PN bar	dM	g	For tube Male ø	Tube Female ø	1 1/2"	40	34	1 1/2"IDF	38,6 x 1,5	35,6	2"	45	2"IDF	51,6 x 1,5	48,6					
		NPS	PN bar	dM	g	For tube Male ø	Tube Female ø																	
1 1/2"	40	34	1 1/2"IDF	38,6 x 1,5	35,6																			
2"		45	2"IDF	51,6 x 1,5	48,6																			

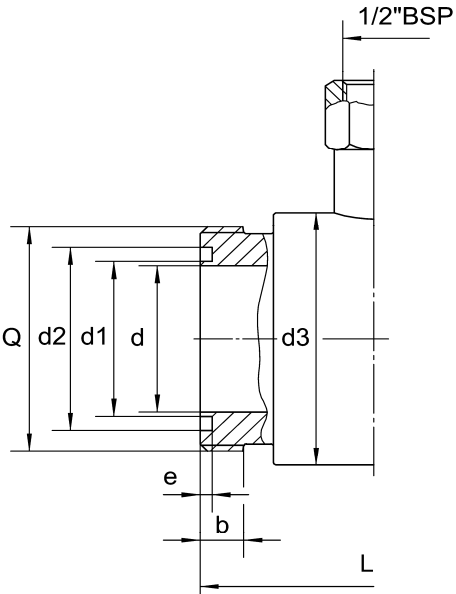

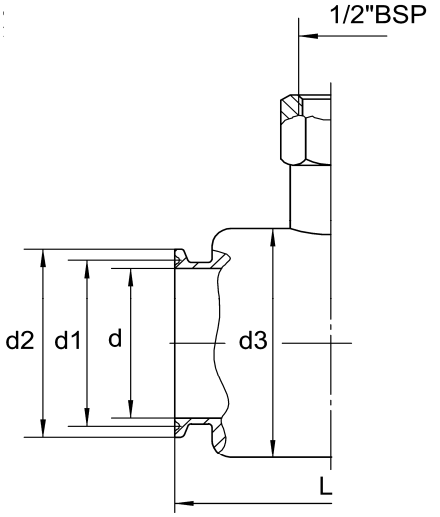

"ALL STAINLESS" SANITARY PRESSURE GAUGE, TYPE PBQ

TYPE	DRAWING	DIMENSIONS mm																																										
18 19	<p>ISO 2852 Tri - Clamp</p> <p>For pipes per ISO 2037 and BS 4825 Part 1</p>	<table border="1"> <thead> <tr> <th>DN</th> <th>PN bar</th> <th>D</th> <th>dM</th> <th>For tube Male ø</th> <th>Tube Female ø</th> </tr> </thead> <tbody> <tr> <td>DN25 - 1"</td> <td rowspan="3">40</td> <td rowspan="3">50.5</td> <td>21</td> <td>25 x 1,2</td> <td>22,6</td> </tr> <tr> <td>DN38 - 1 1/2"</td> <td>32</td> <td>38 x 1,2</td> <td>35,6</td> </tr> <tr> <td>DN51 - 2"</td> <td>46</td> <td>51 x 1,2</td> <td>48,6</td> </tr> <tr> <td>DN63,5 - 2 1/2"</td> <td rowspan="2">25</td> <td rowspan="2">91</td> <td>56</td> <td>63,5 x 1,6</td> <td>60,3</td> </tr> <tr> <td>DN76,1 - 3"</td> <td>66</td> <td>76,1 x 1,6</td> <td>72,9</td> </tr> </tbody> </table>	DN	PN bar	D	dM	For tube Male ø	Tube Female ø	DN25 - 1"	40	50.5	21	25 x 1,2	22,6	DN38 - 1 1/2"	32	38 x 1,2	35,6	DN51 - 2"	46	51 x 1,2	48,6	DN63,5 - 2 1/2"	25	91	56	63,5 x 1,6	60,3	DN76,1 - 3"	66	76,1 x 1,6	72,9												
			DN	PN bar	D	dM	For tube Male ø	Tube Female ø																																				
DN25 - 1"	40	50.5	21	25 x 1,2	22,6																																							
DN38 - 1 1/2"			32	38 x 1,2	35,6																																							
DN51 - 2"			46	51 x 1,2	48,6																																							
DN63,5 - 2 1/2"	25	91	56	63,5 x 1,6	60,3																																							
DN76,1 - 3"			66	76,1 x 1,6	72,9																																							
181 182	<p>DIN 32 676 Tri - Clamp</p> <p>For pipes per DIN 11 850</p>	<table border="1"> <thead> <tr> <th>NPS</th> <th>PN bar</th> <th>D</th> <th>dM</th> <th>For tube Male ø</th> <th>Tube Female ø</th> </tr> </thead> <tbody> <tr> <td>DN 25</td> <td rowspan="3">40</td> <td rowspan="3">50,5</td> <td>24</td> <td>29 x 1,5</td> <td>26</td> </tr> <tr> <td>DN 32</td> <td>28</td> <td>35 x 1,5</td> <td>32</td> </tr> <tr> <td>DN 40</td> <td>32</td> <td>41 x 1,5</td> <td>38</td> </tr> <tr> <td>DN 50</td> <td rowspan="2">25</td> <td rowspan="2">91</td> <td>46</td> <td>53 x 1,5</td> <td>50</td> </tr> <tr> <td>DN 65</td> <td>60</td> <td>70 x 2</td> <td>66</td> </tr> </tbody> </table>	NPS	PN bar	D	dM	For tube Male ø	Tube Female ø	DN 25	40	50,5	24	29 x 1,5	26	DN 32	28	35 x 1,5	32	DN 40	32	41 x 1,5	38	DN 50	25	91	46	53 x 1,5	50	DN 65	60	70 x 2	66												
			NPS	PN bar	D	dM	For tube Male ø	Tube Female ø																																				
DN 25	40	50,5	24	29 x 1,5	26																																							
DN 32			28	35 x 1,5	32																																							
DN 40			32	41 x 1,5	38																																							
DN 50	25	91	46	53 x 1,5	50																																							
DN 65			60	70 x 2	66																																							
191 192	<p>BS 4825 Tri - Clamp</p> <p>For tubes according to:</p>	<table border="1"> <thead> <tr> <th colspan="2"></th> <th colspan="2">ASME BPE</th> <th colspan="2">ISO 1127</th> </tr> <tr> <th>NPS</th> <th>DN</th> <th>Tube Male ø</th> <th>Tube Female ø</th> <th>Tube Male ø</th> <th>Tube Female ø</th> </tr> </thead> <tbody> <tr> <td>3/4"</td> <td>20</td> <td>19,05 x 1,2</td> <td>16,65</td> <td>26,9 x 1,6</td> <td>23,7</td> </tr> <tr> <td>1"</td> <td>25</td> <td>25,4 x 1,6</td> <td>22,2</td> <td>33,7 x 2</td> <td>29,7</td> </tr> <tr> <td>1 1/2"</td> <td>38</td> <td>38,1 x 1,6</td> <td>34,8</td> <td>42,4 x 2</td> <td>38,4</td> </tr> <tr> <td>2"</td> <td>51</td> <td>50,8 x 1,6</td> <td>47,5</td> <td>48,3 x 2</td> <td>44,3</td> </tr> <tr> <td>2 1/2"</td> <td>63,5</td> <td>63,5 x 1,6</td> <td>60,3</td> <td>60,3 x 2</td> <td>56,3</td> </tr> </tbody> </table>			ASME BPE		ISO 1127		NPS	DN	Tube Male ø	Tube Female ø	Tube Male ø	Tube Female ø	3/4"	20	19,05 x 1,2	16,65	26,9 x 1,6	23,7	1"	25	25,4 x 1,6	22,2	33,7 x 2	29,7	1 1/2"	38	38,1 x 1,6	34,8	42,4 x 2	38,4	2"	51	50,8 x 1,6	47,5	48,3 x 2	44,3	2 1/2"	63,5	63,5 x 1,6	60,3	60,3 x 2	56,3
					ASME BPE		ISO 1127																																					
NPS	DN	Tube Male ø	Tube Female ø	Tube Male ø	Tube Female ø																																							
3/4"	20	19,05 x 1,2	16,65	26,9 x 1,6	23,7																																							
1"	25	25,4 x 1,6	22,2	33,7 x 2	29,7																																							
1 1/2"	38	38,1 x 1,6	34,8	42,4 x 2	38,4																																							
2"	51	50,8 x 1,6	47,5	48,3 x 2	44,3																																							
2 1/2"	63,5	63,5 x 1,6	60,3	60,3 x 2	56,3																																							
193	<p>For pipes per BS 4825 part 3 or ASME BPE</p>	<table border="1"> <thead> <tr> <th>ASME BPE</th> <th>BS 4825 - ISO 1127</th> </tr> </thead> <tbody> <tr> <td></td> <td></td> </tr> </tbody> </table>	ASME BPE	BS 4825 - ISO 1127																																								
ASME BPE	BS 4825 - ISO 1127																																											
20 21	<p>VARIVENT</p>	<table border="1"> <thead> <tr> <th>DN (d)</th> <th>PN bar</th> <th>suitable for In Line housing</th> <th>dM</th> </tr> </thead> <tbody> <tr> <td>50</td> <td>25</td> <td>DN25</td> <td>30</td> </tr> <tr> <td>68</td> <td>16</td> <td>DN40 and up</td> <td>46</td> </tr> </tbody> </table>	DN (d)	PN bar	suitable for In Line housing	dM	50	25	DN25	30	68	16	DN40 and up	46																														
			DN (d)	PN bar	suitable for In Line housing	dM																																						
50	25	DN25	30																																									
68	16	DN40 and up	46																																									

SANITARY SEALS

TYPE	DRAWING	DIMENSIONS mm																																																																								
22 23 24	<p>DIN 11851</p> <p>IN-LINE SEAL</p>	<table border="1"> <thead> <tr> <th>DN</th> <th>PN bar</th> <th>b</th> <th>Q</th> <th>d</th> <th>d1</th> <th>d2</th> <th>d3</th> <th>e</th> <th>f</th> <th>L</th> </tr> </thead> <tbody> <tr> <td>20</td> <td rowspan="5">40</td> <td rowspan="5">14</td> <td>Rd 44x1/6</td> <td>19.8</td> <td>23</td> <td>32.8</td> <td>53</td> <td rowspan="5">3.5</td> <td rowspan="3">6</td> <td rowspan="3">138</td> </tr> <tr> <td>25</td> <td>Rd 52x1/6</td> <td>26.2</td> <td>30</td> <td>39.8</td> <td>58</td> </tr> <tr> <td>32</td> <td>Rd 58x1/6</td> <td>31.8</td> <td>36</td> <td>45.8</td> <td>68</td> </tr> <tr> <td>40</td> <td>Rd 65x1/6</td> <td>38</td> <td>42</td> <td>51.8</td> <td>78</td> <td rowspan="2">7</td> </tr> <tr> <td>50</td> <td>Rd 78x1/6</td> <td>50.7</td> <td>54</td> <td>63.8</td> <td>88</td> </tr> <tr> <td>65</td> <td>16</td> <td>Rd 95x1/6</td> <td>65.7</td> <td>71</td> <td>80.8</td> <td>100</td> <td rowspan="3">8</td> <td rowspan="3">118</td> </tr> <tr> <td>80</td> <td rowspan="2">20</td> <td>Rd 110x1/4</td> <td>79.7</td> <td>85</td> <td>94.8</td> <td>116</td> </tr> <tr> <td>100</td> <td>Rd 130x1/4</td> <td>99.7</td> <td>104</td> <td>113.8</td> <td>138</td> <td>4</td> <td>10</td> <td>120</td> </tr> </tbody> </table>	DN	PN bar	b	Q	d	d1	d2	d3	e	f	L	20	40	14	Rd 44x1/6	19.8	23	32.8	53	3.5	6	138	25	Rd 52x1/6	26.2	30	39.8	58	32	Rd 58x1/6	31.8	36	45.8	68	40	Rd 65x1/6	38	42	51.8	78	7	50	Rd 78x1/6	50.7	54	63.8	88	65	16	Rd 95x1/6	65.7	71	80.8	100	8	118	80	20	Rd 110x1/4	79.7	85	94.8	116	100	Rd 130x1/4	99.7	104	113.8	138	4	10	120
	DN	PN bar	b	Q	d	d1	d2	d3	e	f	L																																																															
	20	40	14	Rd 44x1/6	19.8	23	32.8	53	3.5	6	138																																																															
	25			Rd 52x1/6	26.2	30	39.8	58																																																																		
	32			Rd 58x1/6	31.8	36	45.8	68																																																																		
	40			Rd 65x1/6	38	42	51.8	78		7																																																																
	50			Rd 78x1/6	50.7	54	63.8	88																																																																		
	65	16	Rd 95x1/6	65.7	71	80.8	100	8	118																																																																	
	80	20	Rd 110x1/4	79.7	85	94.8	116																																																																			
	100		Rd 130x1/4	99.7	104	113.8	138			4	10	120																																																														
25 26 27	<p>APV-ISS</p> <p>IN-LINE SEAL</p>	<table border="1"> <thead> <tr> <th>DN</th> <th>PN psi</th> <th>b</th> <th>Q</th> <th>d</th> <th>d1</th> <th>d2</th> <th>d3</th> <th>e</th> <th>f</th> <th>L</th> </tr> </thead> <tbody> <tr> <td>1"</td> <td rowspan="3">600</td> <td rowspan="3">17</td> <td>1 15/32</td> <td>22.5</td> <td>—</td> <td>29</td> <td>—</td> <td>2.6</td> <td>—</td> <td rowspan="3">126</td> </tr> <tr> <td>1 1/2"</td> <td>1 63/64</td> <td>35.5</td> <td>—</td> <td>43</td> <td>—</td> <td>2.6</td> <td>—</td> </tr> <tr> <td>2"</td> <td>2 17/32</td> <td>48.6</td> <td>—</td> <td>56</td> <td>—</td> <td>2.6</td> <td>—</td> <td>100</td> </tr> </tbody> </table>	DN	PN psi	b	Q	d	d1	d2	d3	e	f	L	1"	600	17	1 15/32	22.5	—	29	—	2.6	—	126	1 1/2"	1 63/64	35.5	—	43	—	2.6	—	2"	2 17/32	48.6	—	56	—	2.6	—	100																																	
	DN	PN psi	b	Q	d	d1	d2	d3	e	f	L																																																															
	1"	600	17	1 15/32	22.5	—	29	—	2.6	—	126																																																															
	1 1/2"			1 63/64	35.5	—	43	—	2.6	—																																																																
2"	2 17/32			48.6	—	56	—	2.6	—	100																																																																

SANITARY SEALS

TYPE	DRAWING	DIMENSIONS mm																																					
28 29 30	<p>SMS</p> 																																						
	<p>IN-LINE SEAL</p>	<table border="1" style="width: 100%; border-collapse: collapse; text-align: center;"> <thead> <tr style="background-color: #008080; color: white;"> <th>DN</th> <th>PN bar</th> <th>b</th> <th>Q</th> <th>d</th> <th>d1</th> <th>d2</th> <th>d3</th> <th>e</th> <th>L</th> </tr> </thead> <tbody> <tr> <td>1"</td> <td rowspan="3">40</td> <td>11</td> <td>Rd 40x1/6</td> <td>22.5</td> <td>25</td> <td>32</td> <td>48</td> <td rowspan="3">3</td> <td rowspan="3">126</td> </tr> <tr> <td>1 1/2"</td> <td>15</td> <td>Rd 60x1/6</td> <td>35.5</td> <td>38</td> <td>48</td> <td>68</td> </tr> <tr> <td>2"</td> <td></td> <td>Rd 70x1/6</td> <td>48.6</td> <td>51</td> <td>61</td> <td>78</td> </tr> </tbody> </table>	DN	PN bar	b	Q	d	d1	d2	d3	e	L	1"	40	11	Rd 40x1/6	22.5	25	32	48	3	126	1 1/2"	15	Rd 60x1/6	35.5	38	48	68	2"		Rd 70x1/6	48.6	51	61	78			
	DN	PN bar	b	Q	d	d1	d2	d3	e	L																													
	1"	40	11	Rd 40x1/6	22.5	25	32	48	3	126																													
1 1/2"	15		Rd 60x1/6	35.5	38	48	68																																
2"			Rd 70x1/6	48.6	51	61	78																																
31 32 33	<p>TRI-CLAMP</p> 																																						
	<p>IN-LINE SEAL</p>	<table border="1" style="width: 100%; border-collapse: collapse; text-align: center;"> <thead> <tr style="background-color: #008080; color: white;"> <th>DN</th> <th>PN bar</th> <th>d</th> <th>d1</th> <th>d2</th> <th>d3</th> <th>L</th> </tr> </thead> <tbody> <tr> <td>1"</td> <td rowspan="7">40</td> <td>22.5</td> <td rowspan="2">43.5</td> <td rowspan="2">50.5</td> <td rowspan="2">54</td> <td rowspan="7">126</td> </tr> <tr> <td>1 1/2"</td> <td>35.5</td> </tr> <tr> <td>2"</td> <td>48.6</td> <td>56.5</td> <td>64</td> <td>78</td> <td rowspan="4">100</td> </tr> <tr> <td>2 1/2"</td> <td>59.7</td> <td>70.6</td> <td>77.4</td> <td>92</td> </tr> <tr> <td>3"</td> <td>65.7</td> <td>83.5</td> <td>91</td> <td>98</td> </tr> <tr> <td>4"</td> <td>99.7</td> <td>110</td> <td>119</td> <td>133</td> </tr> </tbody> </table>	DN	PN bar	d	d1	d2	d3	L	1"	40	22.5	43.5	50.5	54	126	1 1/2"	35.5	2"	48.6	56.5	64	78	100	2 1/2"	59.7	70.6	77.4	92	3"	65.7	83.5	91	98	4"	99.7	110	119	133
	DN	PN bar	d	d1	d2	d3	L																																
	1"	40	22.5	43.5	50.5	54	126																																
	1 1/2"		35.5																																				
	2"		48.6	56.5	64	78		100																															
	2 1/2"		59.7	70.6	77.4	92																																	
3"	65.7		83.5	91	98																																		
4"	99.7		110	119	133																																		