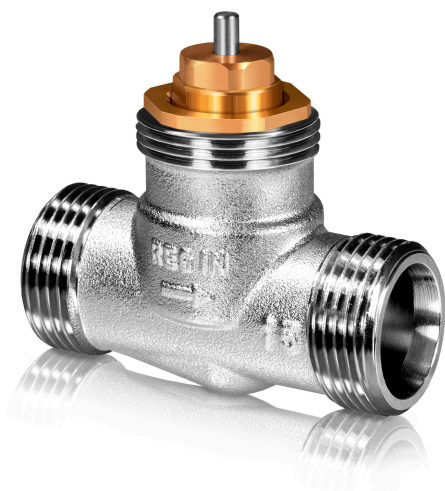




CTV

Externally threaded 2-way zone valve



The valve range is intended to be used together with the RTA(O)M100 thermal actuators or RVAZ2 electromechanical actuators for temperature control in heating and cooling systems, such as radiators, convectors, chilled ceilings etc.

- ✓ Size DN10...DN20
- ✓ Kvs value adjustable between 0.12...1.9
- ✓ Media temperature 2...90°C
- ✓ Pressure rating PN10
- ✓ Compact design

Function

The valve is normally open. When using a NC actuator the valve is closed when no voltage is applied. Using a NO actuator will give the opposite result.

The valve is closed when the stem is in its lowest position and completely open in the highest position.

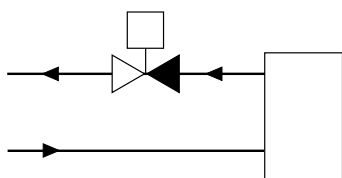


Fig. 1 2-way valve

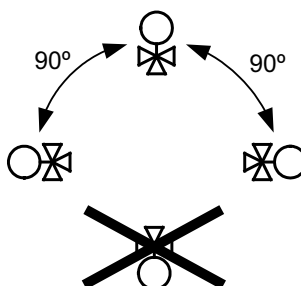
Setting of kvs value

The valve has a reference marking in the upper valve body. The kvs value is set using the grey plastic cap supplied with the valve.

Installation

The valves are supplied with a grey plastic cap which can be used to open/close the valve manually during system installation. Turning the plastic cap clockwise to its end position closes the valve.

- ✓ Before installation of the control valve, ensure that the pipe is clean. Make sure that pipe scale, metal chips, welding slag and other foreign materials are removed.
- ✓ The valve should never be mounted at an angle of more than 90°.



HEAD OFFICE SWEDEN

Phone: +46 31 720 02 00

Web: www.regincontrols.com

E-mail: info@regincontrols.com

CTV

— | —

REGIN
THE CHALLENGER

- ✓ Install the valve according to the fluid direction arrow shown on the valve.
- ✓ The actuator is mounted on the valve with the adapter (VA54 or 29214112001) which is sold separately.

Technical data

Application	Heating systems, cooling systems, radiators
Pressure rating	PN10
Connection	BSP externally threaded according to ISO 228/1
Connection, actuator	M28 x 1.5
Flow characteristics	Linear
Max. leakage	0.0 % of the kvs value
Max. diff. pressure	150 kPa
Media	Hot water, cold water, glycol-mixed water (max. 30 % glycol)
Media temperature	2...90 °C
Stroke	3.5 mm

Material

Body	Chromed brass CW614N
Seat	Brass CW614N
Stem	Stainless steel 1.4305
O-rings	EPDM
Bonnet	Brass CW614N
Seat packing	NBR

Models

Article	Nominal diameter	Connection, external thread	Kvs (adjustable)
CTV10	DN10	G½"	0.12...1.14
CTV15-1,9	DN15	G¾"	0.17...1.9
CTV20	DN20	G1"	0.15...1.55

Suitable actuators and adapters

Electromechanical actuators

Article	Control signal	Supply voltage	Adapter
RVAZ2-24A	0(2)...10 V / (0)4...20 mA	24 V AC/DC +/- 15%	29214112001
RVAZ2-24	2-point/3-point, 3-wire	24 V AC/DC +/- 15%	29214112001
RVAZ2-230	2-point/3-point, 3-wire	230 V AC/DC +/- 15%	29214112001

Thermal actuators

Article	Control signal	Supply voltage	Adapter
RTAM-24A	0...10 V DC, NC	24 V AC	VA54
RTAM-24	On/Off, NC	24 V AC/DC	VA54
RTAM-230	On/Off, NC	230 V AC	VA54
RTAOM-24A	0...10 V DC, NO	24 V AC	VA54
RTAOM-24	On/Off, NO	24 V AC/DC	VA54
RTAOM-230	On/Off, NO	230 V AC	VA54

HEAD OFFICE SWEDEN

Phone: +46 31 720 02 00

Web: www.regincontrols.com

E-mail: info@regincontrols.com

CTV

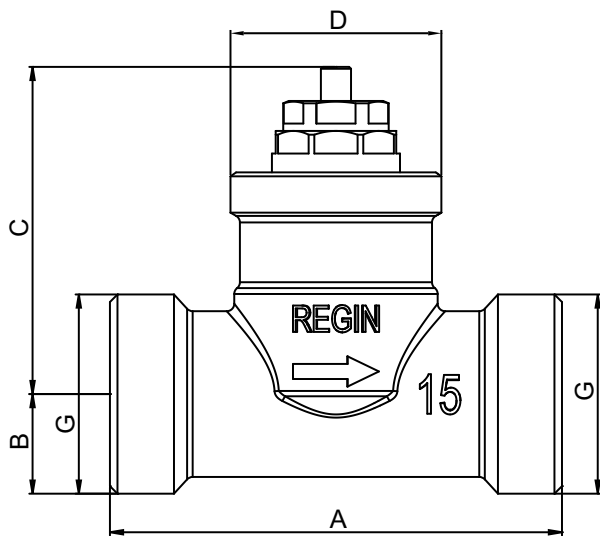
— 3 —


THE CHALLENGER

Accessories

Article	Description	Connection	Valve
1885136	Nut and olive	1/2", K12	CTV10
1886274	Nut and olive	3/4", K15	CTV15-1,9
1884709	Nut and olive	3/4", K18	CTV15-1,9
1886282	Nut and olive	1", K22	CTV20

Dimensions

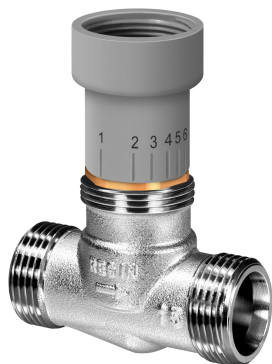


Model	A	B	C	D	G
CTV10	54	1,5	45	M28 x 1,5	G 1/2"
CTV15-1,9	60	13	45	M28 x 1,5	G 3/4"
CTV20	68	16,5	45	M28 x 1,5	G 1"

[mm], unless otherwise specified

Adjustable kvs value

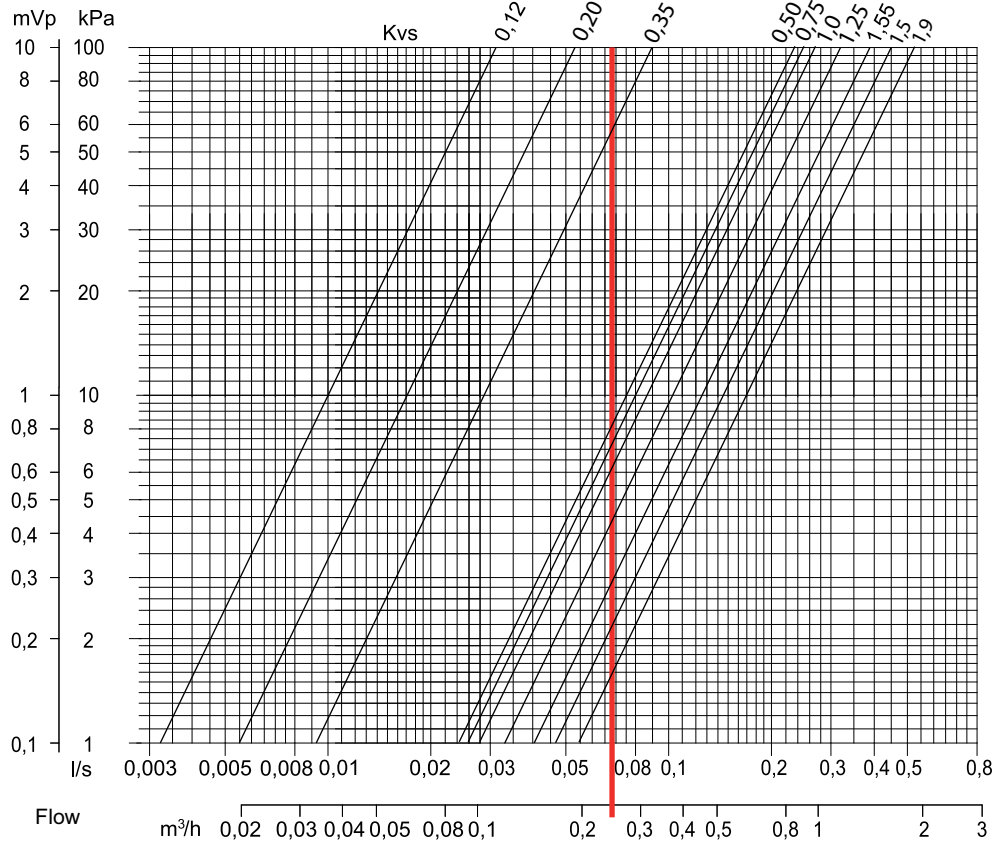
The kvs value is set by turning the grey plastic cap until the desired number on the cap is aligned with the reference marking in the valve (see the picture below). Depending on the position number selected on the plastic cap, different kvs values are set according to the table below.



Model	Position 1	Position 2	Position 3	Position 4	Position 5	Position 6	Position 7	Position 8
CTV10	0.12	0.22	0.34	0.55	0.7	0.9	1.07	1.14
CTV15-1,9	0.17	0.33	0.50	0.75	1.0	1.25	1.65	1.9
CTV20	0.15	0.35	0.55	0.74	0.9	1.1	1.36	1.55

Pressure drop diagram

Pressure drop



The valves have adjustable kvs value (kvs = the flow in m³/h at a pressure drop of 100 kPa).

To draw a curve for other settings than the pre-drawn values

Draw a vertical line through the flow. The starting point of the angled line is where the vertical line intersects the top of the chart (at 100 kPa). The angled line should be parallel to the pre-drawn lines.

In the example above, the kvs value = 0.25.

Documentation

All documentation can be downloaded from www.regincontrols.com.